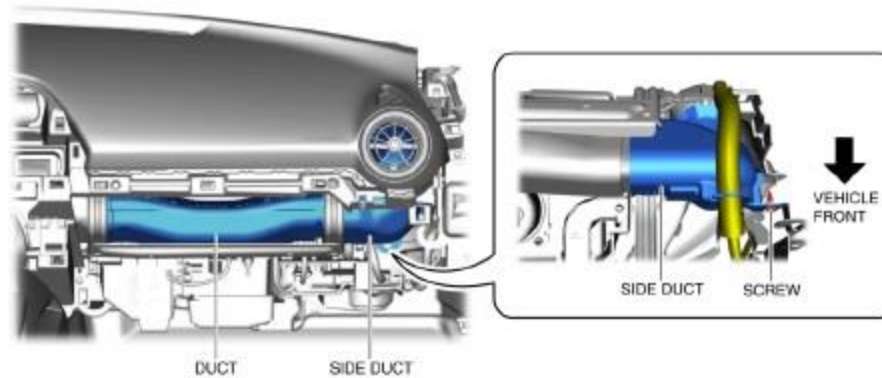


< Previous Next >

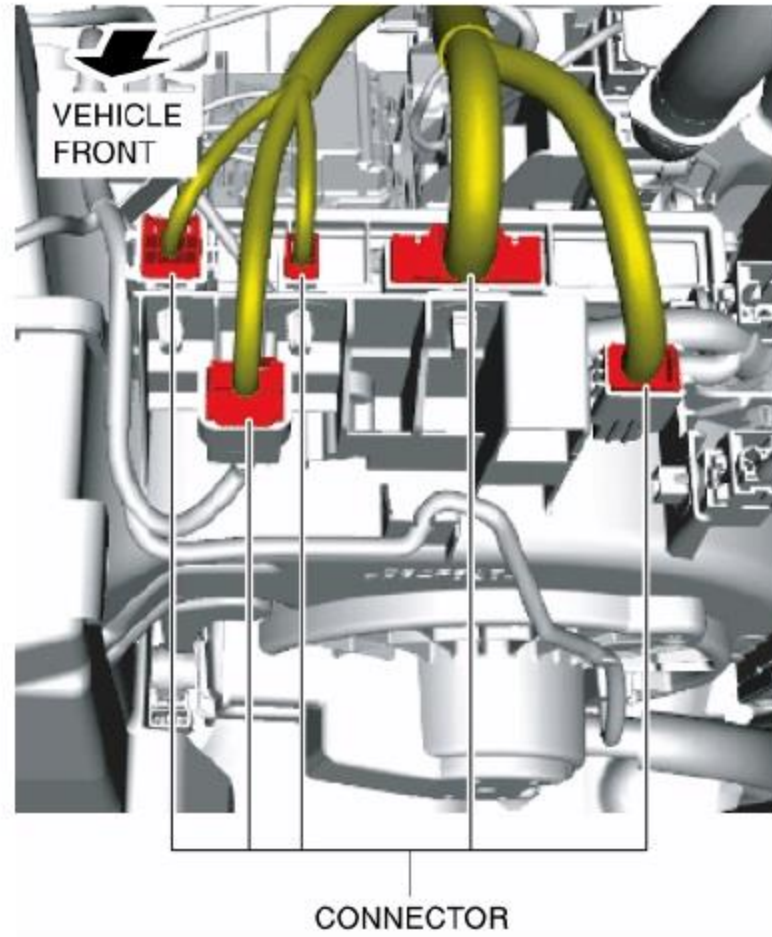
2016 - MX-5 - HVAC

DUST FILTER REMOVAL/INSTALLATION

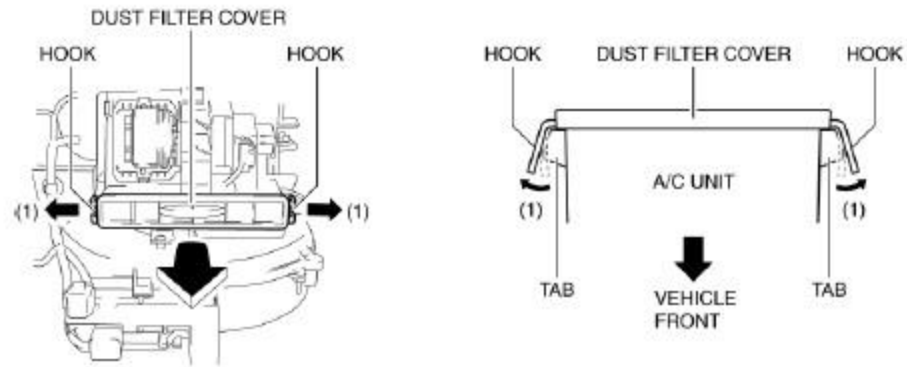
1. Disconnect the negative battery cable. (See **NEGATIVE BATTERY CABLE DISCONNECTION/CONNECTION.**)
2. Remove the following parts:
 - a. Passenger-side scuff plate (See **SCUFF PLATE REMOVAL/INSTALLATION.**)
 - b. Passenger-side front side trim (See **FRONT SIDE TRIM REMOVAL/INSTALLATION.**)
 - c. Passenger-side A-pillar trim (See **A-PILLAR TRIM REMOVAL/INSTALLATION.**)
 - d. Passenger-side lower panel (See **PASSENGER-SIDE LOWER PANEL REMOVAL/INSTALLATION.**)
3. Remove the screw.



4. Remove the side duct.
5. Remove the duct.
6. Disconnect the connectors.

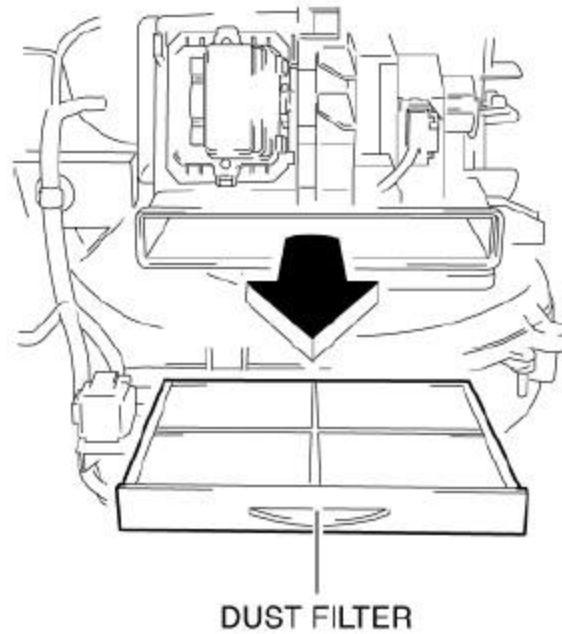


7. Spread the hooks of the dust filter cover in the directions of arrow (1) shown in the figure and detach the hooks of the dust filter cover from the tabs of the A/C unit.



8. Remove the dust filter cover.

9. Remove the dust filter.



10. Install in the reverse order of removal.

< Previous Next >